

**Bullet Style Landscape Light
AT-FLD Series**



Approvals

UL/cUL, DLC, CE Rohs

Power Consumption

12w, 30w

Input Voltage

100VAC~277VAC, 50-60hZ

Lumen Output

820 lm (12w), 2300 lm (30w)

Desc: Modular LED Flood Light

Details

AT-FLD Series Landscape Lights are perfect for accenting architectural features, trees and landscape features. A high output Cree COB chip is integrated into a sturdy powdercoated housing for reliable exterior performance. High efficiency design yields attractive lighting effects in a visually appealing package. Beam spread is 60 degrees. Mount is standard 1/2" male thread.

Features

Energy efficient: save up to 70% in energy costs
High lumen output
Mercury free
Instant-on at 100%

Warranty

5 year

Applications

Site Lighting, Architectural and Landscape Accent

Ordering Information

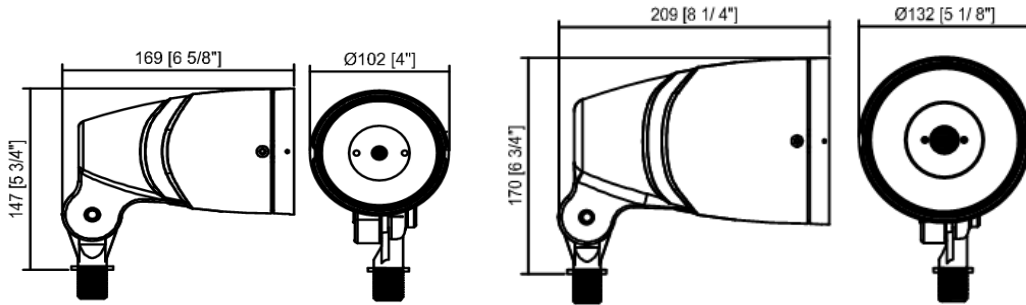
Sample #: AT-FLD-30-30

Series	Style/Size	Color Temp		
AT-FLD	12w	30 (3000K)		
	30w	40 (4000K)		
		50 (5000K)		

Caution: Risk of electric shock. Do not open. No user serviceable parts inside. Turn off power before inspection, installation or removal. Ensure that all batteries and capacitors have been discharged.

<http://www accuratetechinc.com>

**AT-FLD Series
Data Sheet**



PHYSICAL DATA						
		DIMENSIONS				
	BASE	FINISH	DIAMETER (IN)	LENGTH (IN) without arm	WIDTH (IN)	HEIGHT (IN)
12w	1/2" male thread	BZ	4"	6 5/8"		5 3/4"
30w	1/2" male thread	BZ	5 1/8"	8 1/4"		6 3/4"
ELECTRICAL DATA						
	POWER (W)	MAX. INPUT (V)	CONTROL	POWER FACTOR		
12w	12	100-277	S	0.986		
30w	30	100-277	S	0.986		
LIGHTING DATA						
	FLUX (LM)	EFFICACY (LM/W)	BEAM ANGLE	CRI		
12w	820	100	60	>75		
30w	2300	100	60	>75		
SAFETY & LEGAL DATA						
	WEATHER RATING	UL	DLC	ENERGY STAR	WARRANTY (YRS)	
	WET LOC.	X	X		5	

Caution: Risk of electric shock. Do not open. No user serviceable parts inside. Turn off power before inspection, installation or removal. Ensure that all batteries and capacitors have been discharged.

<http://www accuratetechinc.com>